

Quick-Lift Rail

QL R 125



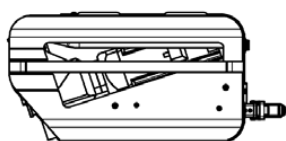
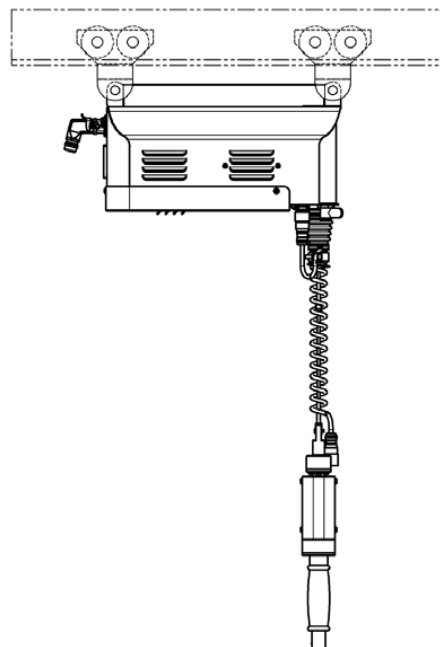
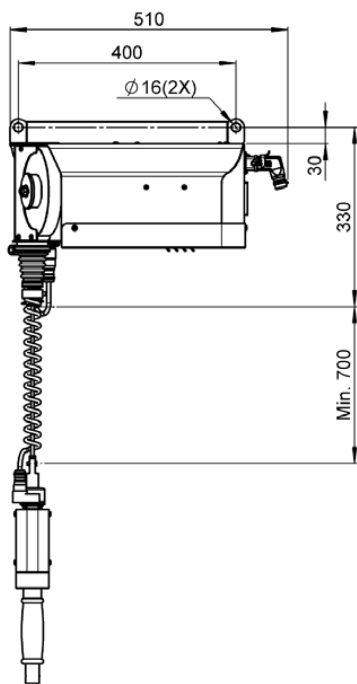
***Ergonomic lifting
aid with unique
manoeuvrability
and flexible use***

Lifts up to 125 kg





QL R 125



Lifting capacity	Max 125 kg
Lift motor	Stepless controlled servomotor
Unit weight	18 kg
Manoeuvring	Manoeuvring is done with KAHLMAN's patented manoeuvring handle. The handle is sensing the operator's hand/arm movement and gives a very exact and smooth speed control. Only a force equivalent to 20 gram is needed to engage the Up/down motion. When the operator let go of the handle, the up/down motion is immediately stopped. The QL R 125 is very easy to move in a rail system due to its very low weight.
Power supply	230V, 50-60 Hz, 1-phase with ground protection, 10A
Stroke length	3,0 meter
Suspension	The QL R 125 can be mounted in the most common rail systems. Existing rail systems can often be used.
Gripping device	Grippers are designed to fit customer's need. Intelligent I/O signals are available for optimum functionality.



Zumpolle b.v. Montagetechnik

Molenstraat 4
5305 CH Zuilichem (NL)

tel +31 (0)418 - 671816 e-mail info@zumpolle.net
fax +31 (0)418 - 673217 web www.zumpolle.net